

Yutong T15E

15-metre electric tour bus with up to 630 kWh battery



Yutong is a commercial vehicle manufacturer specializing in electric buses headquartered in Zhengzhou, Henan, China.

It is the largest bus manufacturer in the world in terms of sales volume and currently has an international market share of 15%. Production capacity of approx. 70,000 buses per year.



YES AB is a company that is part of the YES-EU Group, which is operational throughout the Nordics, as well as several countries in Europe. YES-EU Group is the parent company and specializes in electric vehicles, charging infrastructure and energy storage. YES-EU Group is a supplier of Yutong buses in the Nordics and has delivered almost 1,000 Yutong buses that are in operation in the Nordics. YES-EU Group is growing strongly with a large volume of electric buses to be delivered in the coming years.



Pictures

Demo bus





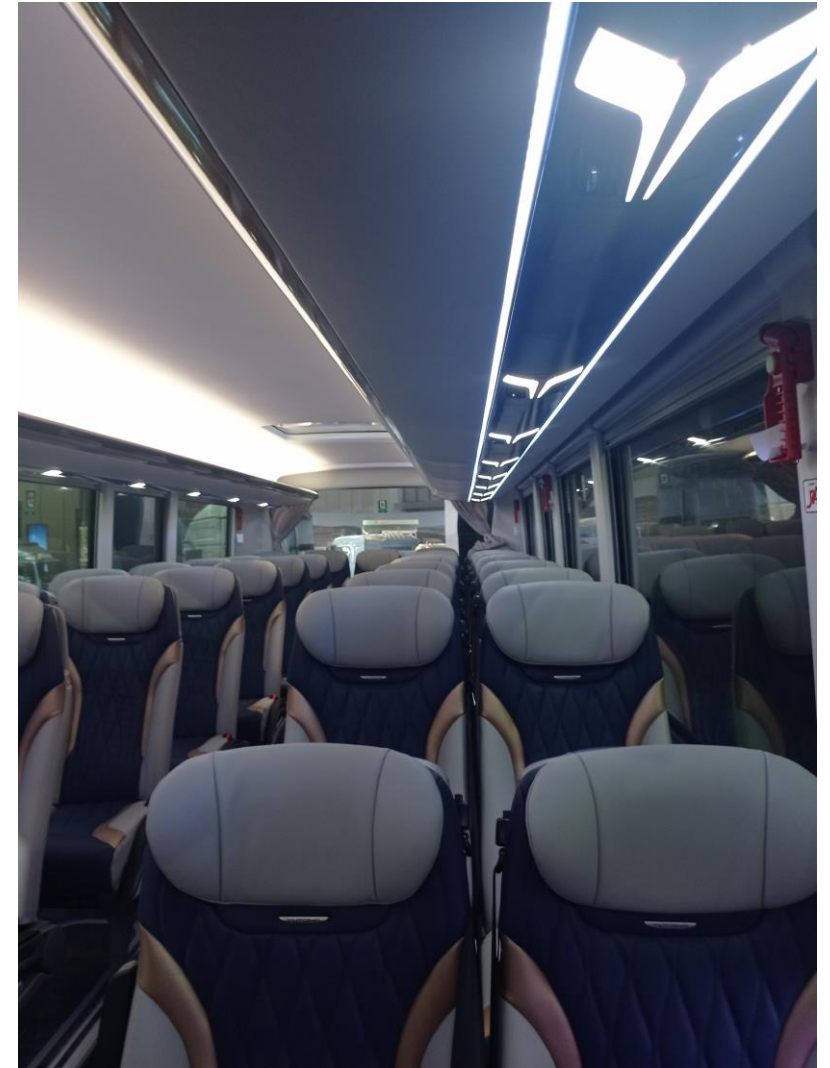


YES  EU









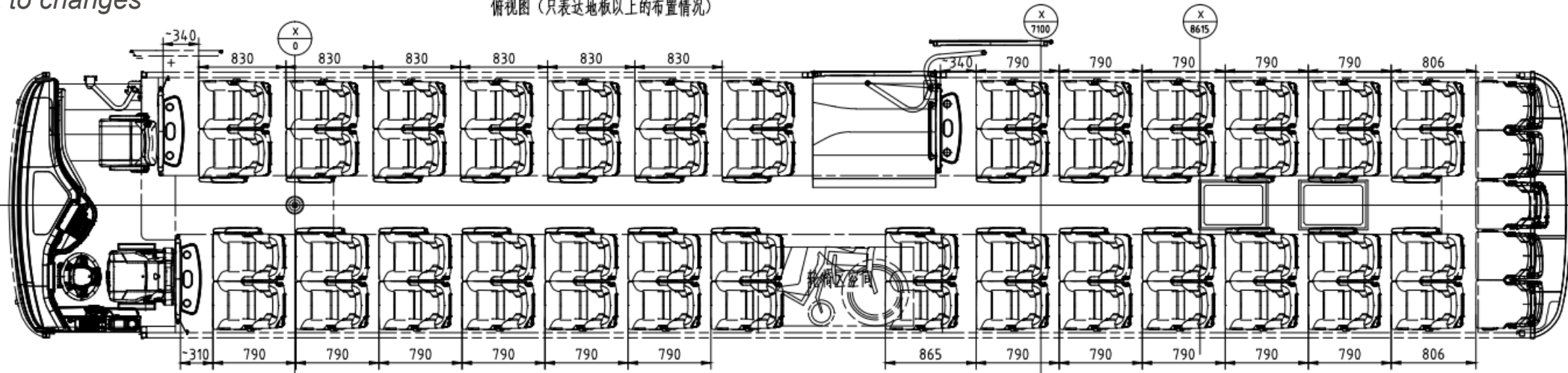


Layout



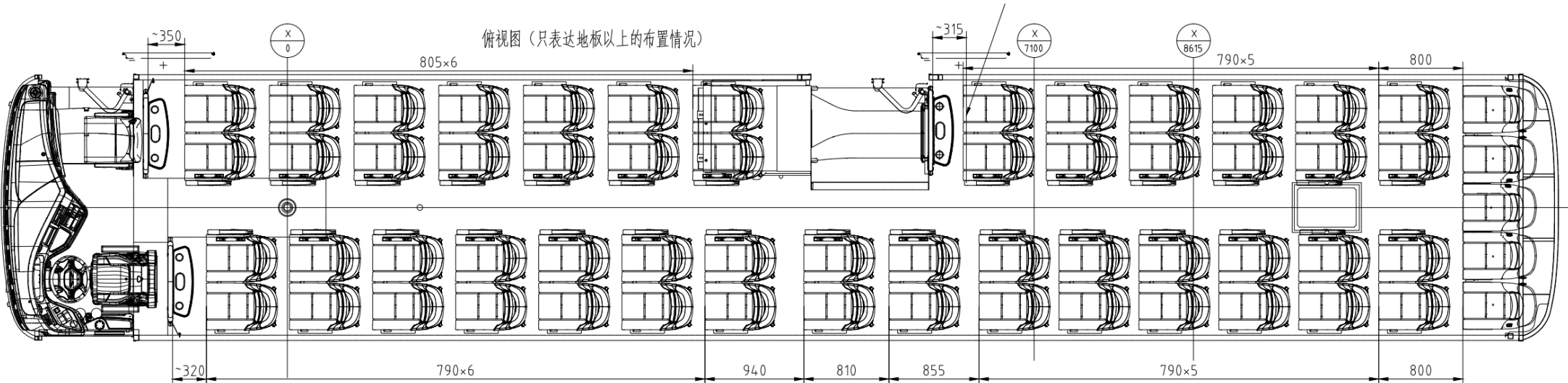
Subject to changes

俯视图 (只表达地板以上的布置情况)



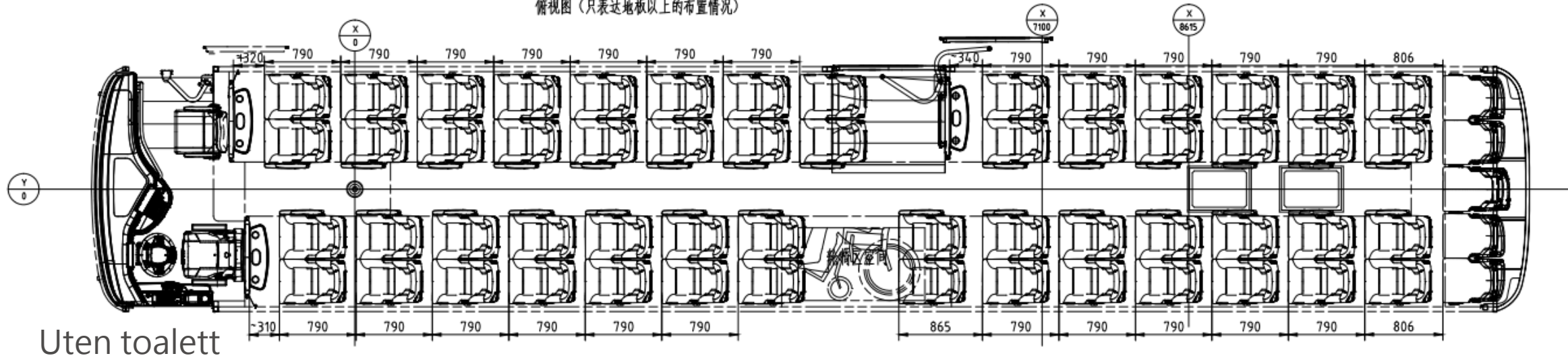
With toilet, 59 seats and 1 wheelchair

俯视图 (只表达地板以上的布置情况)

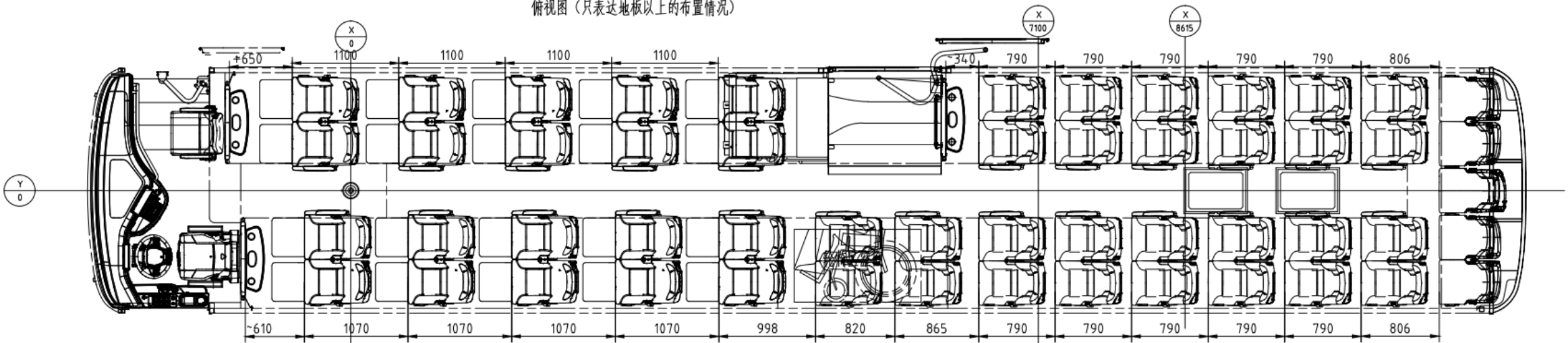


With toilet, 61 seats without, 57 with 1 wheelchair space

俯视图 (只表达地板以上的布置情况)



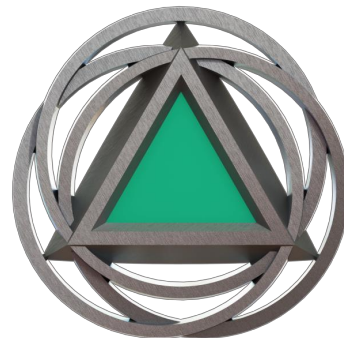
俯视图 (只表达地板以上的布置情况)



Med toalett og fremre halvdel med ekstra komfortable seter inkl. fothviler



Yutong Eurobus Scandinavia AB
Mogatan 21
SE-702 13 Örebro
Sweden
tel.: +46 708-40-55-79
dan.rasmussen@yutongeurobus.se



Sales Manager:
tel.: +46 70-776 96 10
anders.carnlof@yes-eu.com